

The range of humiSteam cylinders

All the CAREL immersed electrode humidifiers feature sophisticated control software that automatically adapts the operating parameters to the characteristics of the water; nonetheless, the optimum balance between cylinder life, variation of steam production and speed of response depending on the type of water and the power supply can only be achieved by changing the shape and the position of the electrodes. For this reason, the CAREL immersed electrode humidifiers today feature the widest choice of cylinders, with specific electrodes for water with conductivity between 125 $\mu\text{S}/\text{cm}$ and 1250 $\mu\text{S}/\text{cm}$, for capacities between 1 and 65 kg/h, and for power supply voltages between 208 V and 575 V.

This extraordinary range of cylinders is the result of years of research and tens of thousands of hours of tests in the CAREL Humidification Laboratory under the widest possible range of uses. This ensures the right solution in every circumstance.

All the humiSteam cylinders feature large galvanised electrodes, positioned inside the cylinder so as to optimise duration and constant performance over the working life of the cylinder.

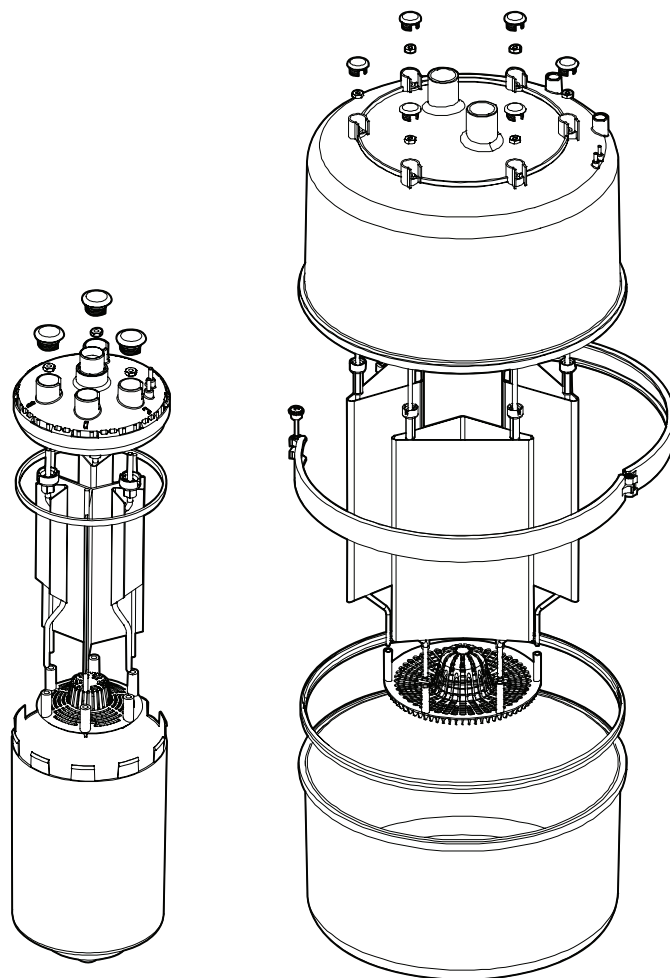
In addition, significant attention has been paid to operation on water with more critical characteristics, to reduce the phenomenon of arcing.

All cylinders are also fitted with filters to avoid the formation of lime scale in the base, preventing the blockage of the drain.

Openable cylinders

The new humidifiers can be fitted with "disposable" cylinders made from flame-retardant plastic, class HB according to UL94, or alternatively openable and therefore cleanable cylinders, made from class V0 flame-retardant plastic (UL94 standard).

The openable cylinders feature quick click-on closing, with a rubber gasket to ensure perfect water-tight seal between the two parts of the cylinder.



Disposable cylinders

humiSteam three-phase 400 V (from 380 to 415 V)

	Water conductivity		
	Low	Medium	High
Capacity kg/h	125/350 µS/cm	350/750 µS/cm	750/1250 µS/cm
3	BL0T1A00H1	BL0T1C00H1	BL0T1D00H1
5, 8	BL0T2B00H0	BL0T2C00H0	BL0T2D00H0
10, 15	BL0T3B00H0	BL0T3C00H0	BL0T3D00H0
25, 35	BL0T4C00H0	BL0T4D00H0 (*)	
45, 90 (2x)	BL0T4B00H0	BL0T4C00H0 (*)	
65, 130 (2x)	BL0T5B00H0	BL0T5C00H0	

humiSteam single-phase 230 V (from 220 to 240 V)

	Water conductivity		
	Low	Medium	High
Capacity kg/h	125/350 µS/cm	350/750 µS/cm	750/1250 µS/cm
1, 3 compact	BLOSRE00H1	BLOSRF00H1	
1, 3	BLOS1E00H1	BLOS1F00H1	
5	BLOS2E00H0	BLOS2F00H0	
9	BLOS3E00H0	BLOS3F00H0	

humiSteam three-phase 208 and 230 V

	Water conductivity		
	Low	Medium	High
Capacity kg/h	125/350 µS/cm	350/750 µS/cm	750/1250 µS/cm
1, 3	BL0T1A00H1	BL0T1B00H1	
5, 8	BL0T2A00H0	BL0T2B00H0	
10, 15	BL0T3A00H0	BL0T3B00H0	
25	BL0T4B00H0	BL0T4C00H0 (*)	
35	BL0T4B00H0 (*)		
45	BL0T5B00H0 (*)		

humiSteam single-phase 208 V

	Water conductivity		
	Low	Medium	High
Capacity kg/h	125/350 µS/cm	350/750 µS/cm	750/1250 µS/cm
1, 3 compact	BLOSRE00H1	BLOSRF00H1	
1, 3	BLOS1E00H1	BLOS1F00H1	
5	BLOS2E00H0	BLOS2F00H0	
9	BLOS3E00H0	BLOS3F00H0	

humiSteam three-phase 460 V

	Water conductivity		
	Low	Medium	High
Capacity kg/h	125/350 µS/cm	350/750 µS/cm	750/1250 µS/cm
3	BL0T1C00H1	BL0T1D00H1	
5/8	BL0T2C00H0	BL0T2D00H0	
10/15	BL0T3C00H0	BL0T3D00H0	
25	BL0T4D00H0 (*)		
35/45, 90 (2x)	BL0T4C00H0	BL0T4D00H0 (*)	
65, 130 (2x)	BL0T5C00H0	BL0T5D00H0	

humiSteam three-phase 575 V

	Water conductivity		
	Low	Medium	High
Capacity kg/h	125/350 µS/cm	350/750 µS/cm	750/1250 µS/cm
1, 3	BL0T1C00H1	BL0T1D00H1	
5, 8	BL0T2C00H0	BL0T2D00H0	
10, 15	BL0T3C00H0	BL0T3D00H0	
25, 35, 45, 90 (2x)	BL0T4D00H0 (*)		
65, 130 (2x)	BL0T5D00H0		

Openable cylinders (**)

humiSteam three-phase 400 V (from 380 to 415 V)

	Water conductivity		
	Low	Medium	High
Capacity kg/h	125/350 µS/cm	350/750 µS/cm	750/1250 µS/cm
5, 8	BLCT2B00W0	BLCT2C00W0	BLCT2D00W0
10, 15	BLCT3B00W0	BLCT3C00W0	BLCT3D00W0
25, 35 45, 90 (2x)	BLCT4B00W0	BLCT4C00W0	BLCT4D00W0
65, 130 (2x)	BLCT5B00W0	BLCT5C00W0	BLCT5D00W0

humiSteam single-phase 230 V (from 220 to 240 V)

	Water conductivity		
	Low	Medium	High
Capacity kg/h	125/350 µS/cm	350/750 µS/cm	750/1250 µS/cm
5	BLCS2E00W0	BLOCS2F00W0	
9	BLCS3E00W0	BLOCS3F00W0	

Note: the codes in bold are factory-fitted as standard.

Important

(*) models UE 25, 35, 45 kg/h with serial numbers before 501,000 use the BL0T4000H0 cylinder, with 30 mm diameter steam outlets still available.

(**) as well as the voltages shown here, openable cylinders are available for: 208 V single-phase, 230 V three-phase, 460 V three-phase and 575 V three-phase.