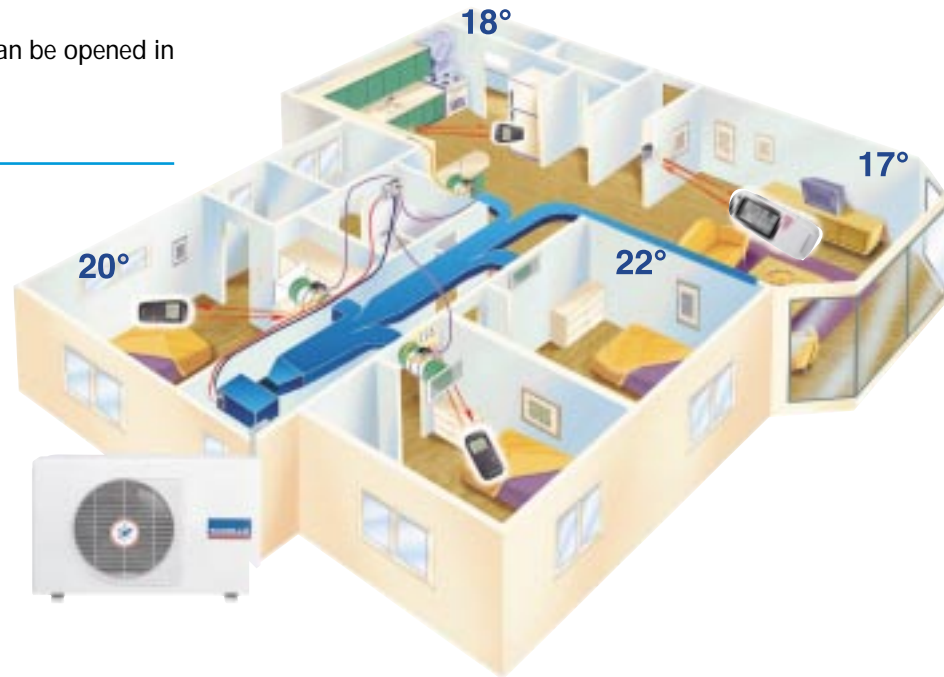


Satellite Units

Air Conditioners with Dual Control

Sensing your environment

- Dual control and auto sense
- Silent operation
- Dehumidification function
- Backup memory
- Indoor unit's front panel can be opened in order to insert metal duct (for future products).

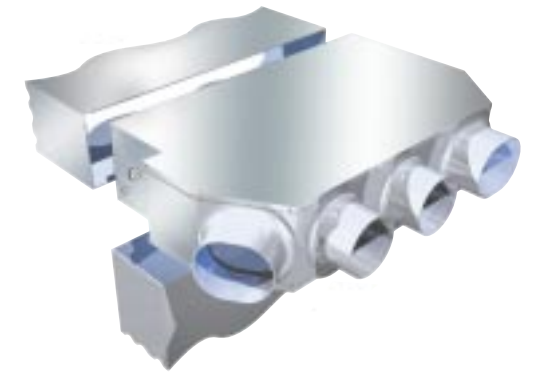
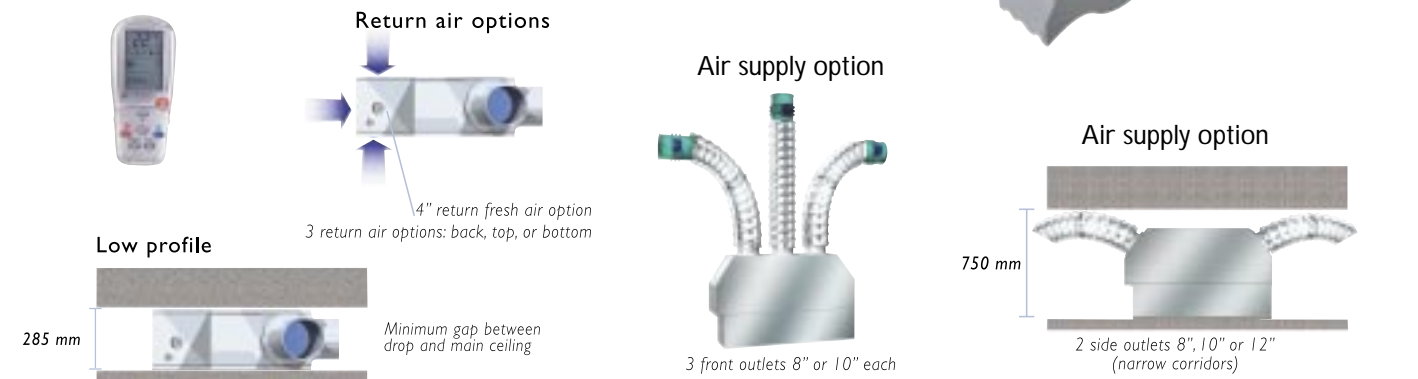


Sapphire Star

Improving air quality

- Up to 50m distance and 30m height difference between indoor and outdoor units*
- Oil traps free
- No need for oil additions
- External ambient temperature up to 48°C and down to -17°C
- Advanced scroll compressors*
- Phase sequence protection

* For specific models



Model	AVL7G-22H	AVL7G-24H	AVL7G-28H	AVL7G-32H/323H	AVL7G-38H/383H	AVL7G-433H	AVL7G-473H	
Capacity								
Cooling								
Btu/h	20,500	23,200	27,200	30,300	36,500	41,000	45,000	
Kcal	5,166	5,846	6,854	7,635	9,198	10,332	11,340	
KW	6	6.8	7.8	8.9	10.7	12	13.2	
Heating								
Btu/h	21,000	21,500	28,200	36,000	44,000	49,000	50,000	
Kcal	5,292	5,418	7,106	9,072	11,088	12,348	12,600	
KW	6.2	6.3	8.3	10.6	12.9	14.36	14.65	
Electrical data								
Voltage, frequency, phase	V, Hz, Ph	220/240,50,1	220/240,50,1	220/240,50,1	220/240 380,50,1/3	220/240 380,50,1/3	380,50,3	380,50,3
Power input cooling	W	2,310	2,960	3,320	3,860	4,120	5,000	5,270
Power input heating	W	2,120	2,620	2,850	3,770	4,000	4,790	5,050
Operating current cooling	A	10.5	13.4	15.1	17.6-7.3/5.8/5.8	18.8-7.6/6.1/6.1	10.8/8.2/8.2	12/8.3/8.3
Operating current heating	A	9.6	11.8	12.9	17.3-8.1/6.6/6.6	19-7.7/6.2/6.2	10.7/8.1/8.1	11.8/8.1/8.1
Performance								
EER	Btu/W	8.9	7.8	8.2	7.9	8.9	8.2	8.5
COP	W/W	2.9	2.4	2.9	2.8	3.1	3.0	2.9
Airflow volume indoor	M ³ /h	1055/935/815	1055/935/815	2,040/1,785/1,445	2,040/1,785/1,445	2,380/2,040/1,730	2,380/2,040/1,730	2,380/2,040/1,730
Noise level indoor (Hi/Med/Low)	dB(A)	34/31/28	34/31/28	37/32/29	37/32/29	38/36/34	38/36/34	38/36/34
Noise level outdoor (Hi/Med/Low)	dB(A)	38/50	38/50	40/50	42/50	46/52	46/52	46/54
Net dimensions & weight								
Indoor unit LxHxD	mm	800x285x750	800x285x750	1,150x285x750	1,150x285x750	1,150x285x750	1,150x285x750	1,150x285x750
Outdoor unit LxHxD	mm	900x640x320	1,100x640x320	1,100x640x320	1,140x640x400	1,140x640x400	1,140x640x400	1,100x1,280x320
Net weight indoor/outdoor	Kg.(lb.)	31(68)/65(143)	31(68)/72(159)	47(103)/72(159)	47(103)/85(187)	47(103)/90(198)	47(103)/90(198)	52(114)/110(242)
Piping connection								
Liquid side	mm (inch)	Ø 9.53 (3/8")	Ø 9.53 (3/8")	Ø 9.53 (3/8")	Ø 9.53 (3/8")	Ø 9.53 (3/8")	Ø 9.53 (3/8")	Ø 9.53 (3/8")
Gas side	mm (inch)	Ø 15.9 (5/8")	Ø 15.9 (5/8")	Ø 15.9 (5/8")	Ø 15.9 (5/8")	Ø 19.05 (3/4")	Ø 19.05 (3/4")	Ø 19.05 (3/4")

Remarks: 1. Cooling capacities are based on indoor air temp. of 27°C DB, 19°C WB and outdoor air temp. of 35°C DB, 24°C WB.
2. The above specifications are subject to change without prior notice for product improvement purposes.

- Turbo jet
- Low noise level
- Auto restart
- 175V
- Low voltage start up
- Sleep mode function
- Intelligent defrosting
- Self-Diagnosis
- I feel
- Three time zones
- Network tech*